

Uniform Semi-Automatic, Top and Bottom Case Sealer

STA-37

S E R I E S

- 90 feet per minute belt speed
- Simple, reliable bottom and top belt drive
- 2" or 3" taping
- Fast, easy setup and adjustments
- Top mast can be raised to accommodate taller cartons
- Heavy duty casters are standard
- Motor overload protection
- Top flap compression rollers are standard
- Heavy duty frame
- Heavy duty transmission system
- Easy to install inkjet printer



APPLICATION

The STA-37 is a modular designed uniform carton sealing machine. After the operator closes the top flaps and feeds the carton into the machine, the top and bottom flaps are simultaneously taped. There is no limit on the carton length and the machine can handle a maximum width of 25.50" and a maximum height of 25.50". The ability to handle tall boxes makes this machine one of the most versatile in the market.

Top and bottom drive belts make the STA-37 well suited for a wide variety of carton sizes and shapes. Along with the ability to handle tall cartons and the ease to install inkjet printers, make this machine one of the most cost-effective case sealers in the industry.

EXCLUSIVE STA TAPE HEAD

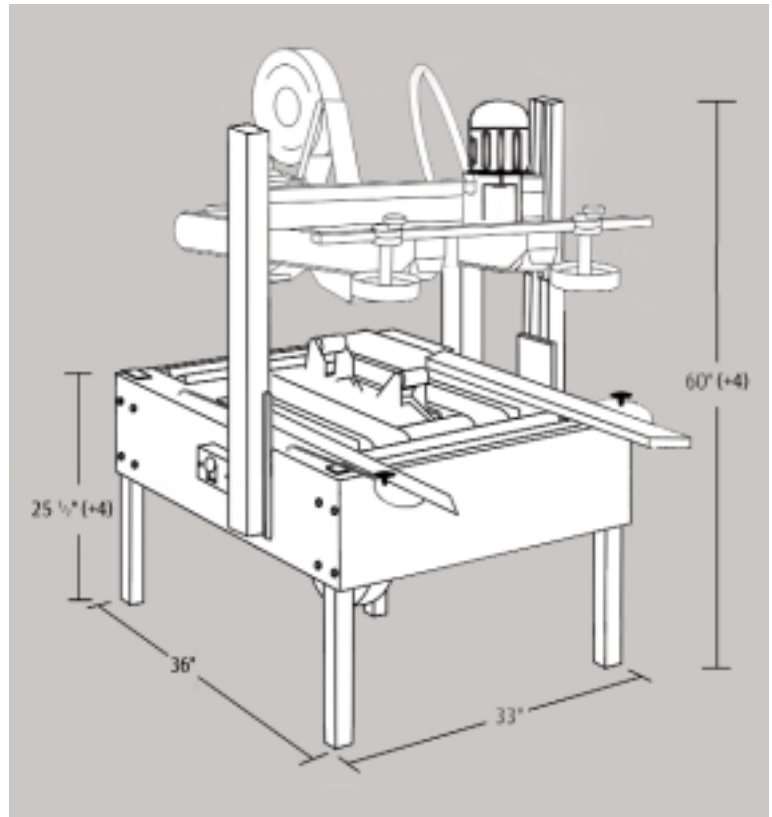
The patented STA taping head design is uniquely engineered to maintain consistent pressure to the tape to ensure the most secure, reliable seal possible. Our new line of interchangeable pressure sensitive taping heads are offered in a variety of tab lengths and tape widths to fit your application.

For the best results, rely on STA Proven Performance acrylic tapes, for use with your high-throughput sealing machines. Together, you have the most reliable single source tape sealing system.

STA-37

SERIES

Uniform Semi Automatic, Top and Bottom Case Sealer



TAPE

- SUPREME
- EASY RELEASE™
- NATURAL RUBBER
- PRINTED
- COLORS
- RETAIL ROLL
- LABEL PROTECTION
- STATIONERY
- UPVC
- MASKING
- STRAPPING
- FILAMENT
- WATER ACTIVATED REINFORCED AND GUMMED PAPER

DISPENSERS

- HAND DISPENSERS
- NOISE REDUCING DISPENSERS
- BENCH DISPENSERS

MACHINES

- UNIFORM SEMI-AUTOMATIC CASE SEALERS
- UNIFORM AUTOMATIC CASE SEALERS
- RANDOM SEMI-AUTOMATIC CASE SEALERS
- RANDOM AUTOMATIC CASE SEALERS
- PACKING STATIONS
- CASE ERECTORS
- INTERCHANGEABLE TAPE HEADS

ACCESSORIES

- PACKING TABLES & STATIONS
- CASTERS
- THREE FLAPS CLOSERS
- BOX BLOCKING SYSTEM

SPECIFICATIONS

Model Number	Tape Width	Tab Length	Length Min. - Max.*	Width Min. - Max.*	Height Min. - Max.*
STA37	2"	2"	5.90" - U	6.00" - 25.50"***	4.00" - 25.50"(+4)
STA3721	2"	1"	5.90" - U	6.00" - 25.50"***	3.25" - 25.50"(+4)
STA3723	2"	3"	5.90" - U	6.00" - 25.50"***	4.69" - 25.50"(+4)
STA3733	3"	3"	5.90" - U	6.50" - 25.50"	4.69" - 25.50"(+4)
STA3732	3"	2"	5.90" - U	6.50" - 25.50"	4.00" - 25.50"(+4)

*Recommended carton specifications may vary

**Machine adjustment required

Power Requirements: 110V / 60Hz / 1PH

Tape Width: 2-in., 3-in.

Maximum Case Weight: 95 lbs.

Belt Speed: 90 FPM

Machine Dimensions: 35.5" x 33.5" x 52" (LxWxH)

Shipping Dimensions: 36" x 35" x 39" (LxWxH)

Machine Weight: 250 lbs.

Shipping Weight: 295 lbs.

Authorized STA Packaging Tapes Distributor:

Specifications are subject to change without notice. Printed in the U.S.A. All trademarks and registered trademarks are property of Sekisui TA Industries, Inc.