

## Uniform Automatic, Case Erecting and Bottom Case Taping System

# STA-CF980

S E R I E S

- Engineered for 24 hour operation
- Simple, easy to set up programmable logic
- Small foot print
- Case blocking system
- On demand system is standard
- Alarm lights are standard
- Quick change-over
- Self-diagnostics
- Accommodates a square box



### APPLICATION

The STA-CF980 Series is a complete modular designed case erecting machine that automatically takes the cases from the vertical magazine position and folds and tapes the bottom flaps. Once the case is shaped, it is retained on the outlet platform for filling. For larger cases, the STA-CF1500 model will perform the same process.

Even with light cardboard, case erecting is carried out perfectly due to a patented blocking system that forms the case on three sides. Any interference from the flaps during folding is eliminated

### EXCLUSIVE STA TAPE HEAD

The patented STA taping head design is uniquely engineered to maintain consistent pressure to the tape to ensure the most secure, reliable seal possible. Our new line of interchangeable pressure sensitive taping heads are offered in a variety of tab lengths and tape widths to fit your application.

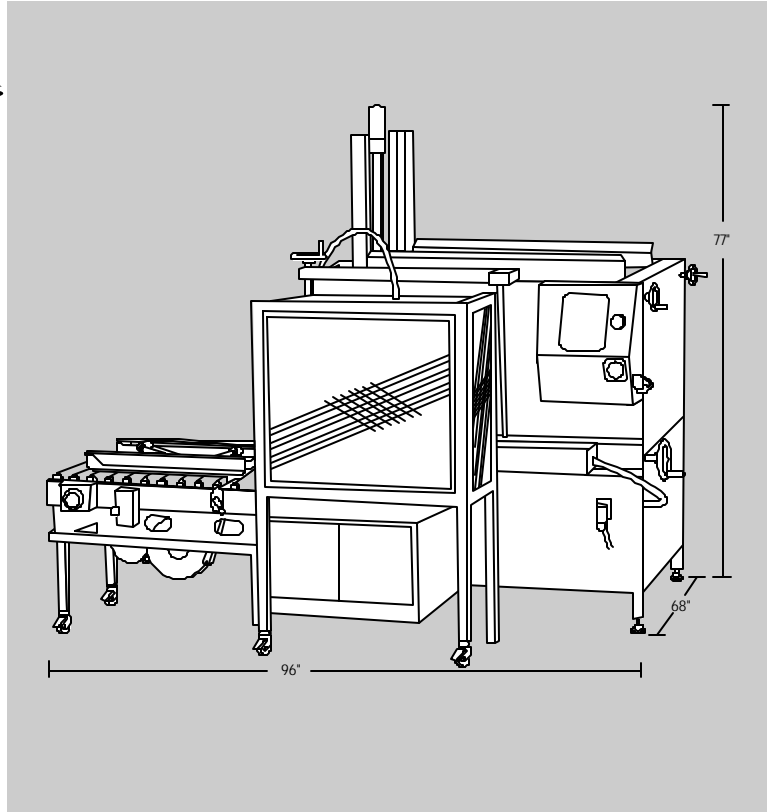
For the best results, rely on STA Proven Performance acrylic tapes, for use with your high-throughput automatic sealing machines. Together, you have the most reliable single source tape sealing system.



# STA-CF980

S E R I E S

Uniform Automatic, Case Erecting and Bottom Case Taping System



## TAPE

- SUPREME
- EASY RELEASE™
- NATURAL RUBBER
- PRINTED
- COLORS
- RETAIL ROLL
- LABEL PROTECTION
- STATIONERY
- UPVC
- MASKING
- STRAPPING
- FILAMENT
- WATER ACTIVATED REINFORCED AND GUMMED PAPER

## DISPENSERS

- HAND DISPENSERS
- NOISE REDUCING DISPENSERS
- BENCH DISPENSERS

## MACHINES

- UNIFORM SEMI-AUTOMATIC CASE SEALERS
- UNIFORM AUTOMATIC CASE SEALERS
- RANDOM SEMI-AUTOMATIC CASE SEALERS
- RANDOM AUTOMATIC CASE SEALERS
- PACKING STATIONS
- CASE ERECTORS
- INTERCHANGEABLE TAPE HEADS

## ACCESSORIES

- PACKING TABLES & STATIONS
- CASTERS
- THREE FLAPS CLOSERS
- BOX BLOCKING SYSTEM

## SPECIFICATIONS

Model Number	Description	Length Min. - Max.*	Width Min. - Max.*	Height Min. - Max.*
STACF980	Case Erecting with bottom taping	8.27" - 23.62"	6.30" - 18.11"	6.30" - 24.02"
STACF1500	Case Erecting with bottom taping	19.68" - 31.50"	13.78" - 25.59"	13.78" - 38.39"

\*Recommended carton specifications may vary

<b>Power Requirements:</b>	460V / 60Hz / 3PH (Optional voltages available)
<b>Tape Width:</b>	2-in. standard, 3-in. available
<b>Maximum Case Weight:</b>	95 lbs.
<b>Throughput Rating:</b>	6 - 8 boxes per minute
<b>Air Requirement:</b>	PSI: 80-100 lbs., CFM: 8+, dry air, 3/8" supply line
<b>Machine Dimensions:</b>	CF980: 96" x 68" x 77" (LxWxH) CF1500: 125" x 68" x 96" (LxWxH)
<b>Shipping Dimensions:</b>	CF980: 75" x 65" x 71" (LxWxH) CF1500: ??? x ?? x ?? (LxWxH)
<b>Machine Weight:</b>	CF980: 1,252 lbs. CF1500: 1,460 lbs.
<b>Shipping Weight:</b>	CF980: 1,653 lbs. CF1500: 1,900 lbs.

Authorized STA Packaging Tapes Distributor:

Specifications are subject to change without notice. Printed in the U.S.A. All trademarks and registered trademarks are property of Sekisui TA Industries, Inc.