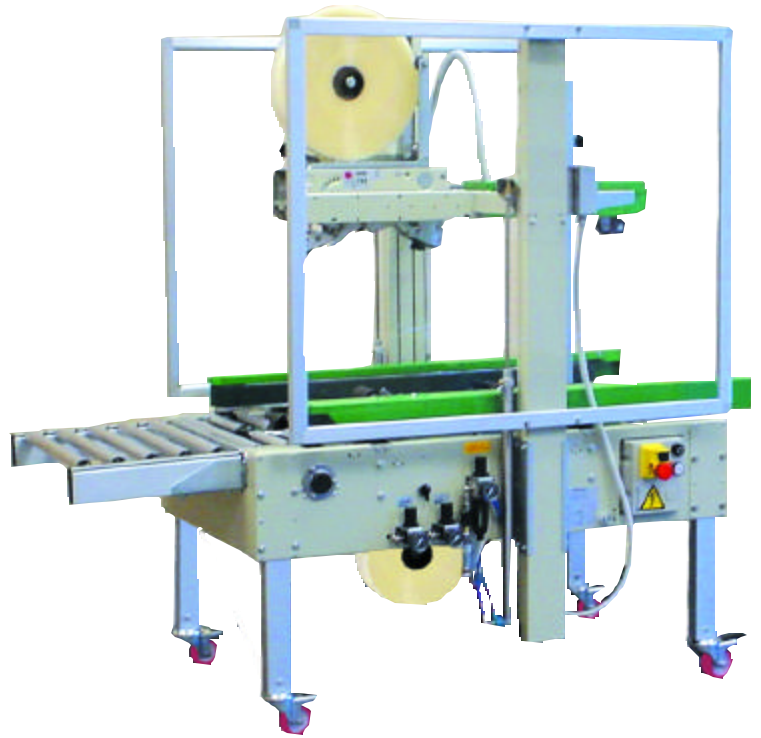


Random Semi-Automatic, Top and Bottom Case Sealer

STA-X52

S E R I E S

- Simple, reliable side belt drive system
- Heavy duty frame
- Six tape head variations
- 2" or 3" taping
- Self contained pneumatic adjustments require no maintenance
- Heavy duty transmission system
- Engineered for 24 hour operation
- 90 feet per minute belt speed
- Increased throughput
- Safety guards are standard
- Adjustable height sensor
- Heavy duty casters are standard
- Motor overload protection



APPLICATION

The STA-X52 Series is a complete modular designed sealing machine for runs of random size cartons. After filling, the operator folds the top flaps and moves the carton into the machine for top and bottom taping. Side drive conveyor belts adjust to the varying dimensions of the cartons and drive them through the machine.

The STA-X67 and STA-X82 models are for wider, taller cartons. The STA-X52L models are complete modular designed packaging and sealer machines for low profile cartons.

EXCLUSIVE STA TAPE HEAD

The patented STA taping head design is uniquely engineered to maintain consistent pressure to the tape to ensure the most secure, reliable seal possible. Our new line of interchangeable pressure sensitive taping heads are offered in a variety of tab lengths and tape widths to fit your application.

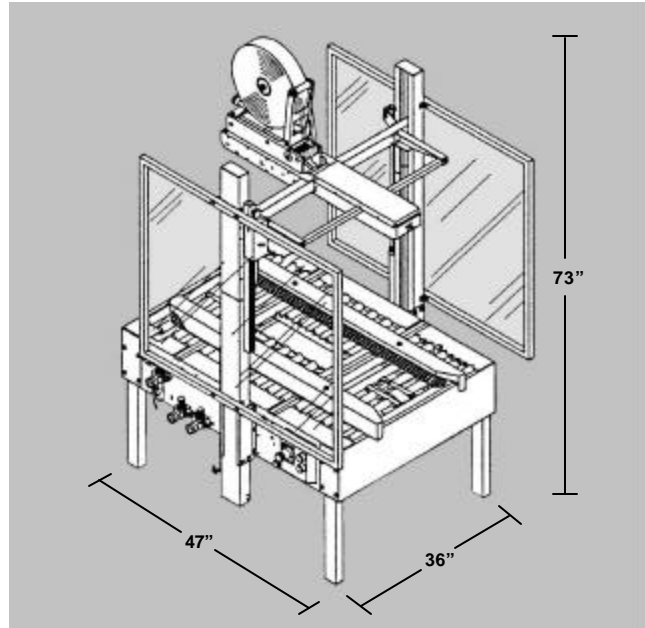
For the best results, rely on STA Proven Performance acrylic tapes, for use with your high-throughput sealing machines. Together, you have the most reliable single source tape sealing system.



STA-X52

S E R I E S

Random Semi-Automatic,
Top and Bottom Case Sealer



SPECIFICATIONS

Model Number	Tape Width	Tab Length	Length Min. - Max.*	Width Min. - Max.*	Height Min. - Max.*
STAX52	2"	2"	5.90" - U	3.94" - 19.96"	3.94" - 19.96" (+4)
STAX5223	2"	3"	5.90" - U	3.94" - 19.96"	4.69" - 19.96" (+4)
STAX5233	3"	3"	5.90" - U	4.94" - 19.96"	4.69" - 19.96" (+4)
STAX5232	3"	2"	5.90" - U	4.94" - 19.96"	3.94" - 19.96" (+4)
STAX67	2"	2"	5.90" - U	3.94" - 25.50"	3.94" - 25.50" (+4)
STAX6723	2"	3"	5.90" - U	3.94" - 25.50"	4.69" - 25.50" (+4)
STAX6733	3"	3"	5.90" - U	4.94" - 25.50"	4.69" - 25.50" (+4)
STAX6732	3"	2"	5.90" - U	4.94" - 25.50"	3.94" - 25.50" (+4)
STAX82	2"	2"	5.90" - U	3.94" - 31.50"	3.94" - 31.50" (+4)
STAX8223	2"	3"	5.90" - U	3.94" - 31.50"	4.69" - 31.50" (+4)
STAX8233	3"	3"	5.90" - U	4.94" - 31.50"	4.69" - 31.50" (+4)
STAX8232	3"	2"	5.90" - U	4.94" - 31.50"	3.94" - 31.50" (+4)
STAX52L22	2"	2"	5.90" - U	3.94" - 19.96"	2.75" - 19.96" (+4)
STAX52L21	2"	1"	5.90" - U	3.94" - 19.96"	2.35" - 19.96" (+4)
STAX52L32	3"	2"	5.90" - U	4.94" - 19.96"	2.75" - 19.96" (+4)

*Recommended carton specifications may vary

Power Requirements:	110V / 60Hz / 1PH
Tape Width:	2-in. standard, 3-in. available
Maximum Case Weight:	95 lbs.
Throughput Rating:	12-15 per minute depending on box size
Air Requirement:	PSI: 80-100 lbs., CFM: 3-5, dry air, 3/8" supply line
Machine Dimensions:	X52: 47" x 36" x 73" X67: 47" x 42" x 80" X82: 47" x 48" x 85" (LxWxH)
Shipping Dimensions:	X52: 56" x 37" x 53" X67: 52" x 42" x 47" X82: 55" x 49" x 65" (LxWxH)
Machine Weight:	X52: 339 X67: 418 X82: 400
Shipping Weight:	X52: 451 X67: 524 X82: 565

Authorized STA Packaging Tapes Distributor:

Specifications are subject to change without notice. Printed in the U.S.A. All trademarks and registered trademarks are property of Sekisui TA Industries, Inc.

TAPE

- SUPREME
- EASY RELEASE™
- NATURAL RUBBER
- PRINTED
- COLORS
- RETAIL ROLL
- LABEL PROTECTION
- STATIONERY
- UPVC
- MASKING
- STRAPPING
- FILAMENT
- WATER ACTIVATED REINFORCED AND GUMMED PAPER

DISPENSERS

- HAND DISPENSERS
- NOISE REDUCING DISPENSERS
- BENCH DISPENSERS

MACHINES

- UNIFORM SEMI-AUTOMATIC CASE SEALERS
- UNIFORM AUTOMATIC CASE SEALERS
- RANDOM SEMI-AUTOMATIC CASE SEALERS
- RANDOM AUTOMATIC CASE SEALERS
- PACKING STATIONS
- CASE ERECTORS
- INTERCHANGEABLE TAPE HEADS

ACCESSORIES

- PACKING TABLES & STATIONS
- CASTERS
- THREE FLAPS CLOSERS
- BOX BLOCKING SYSTEM